

Gas Discharge Tube: G16D5A Series



2-Electrode $\Phi 15.5 \times T5\text{mm}$ Type

■ Features

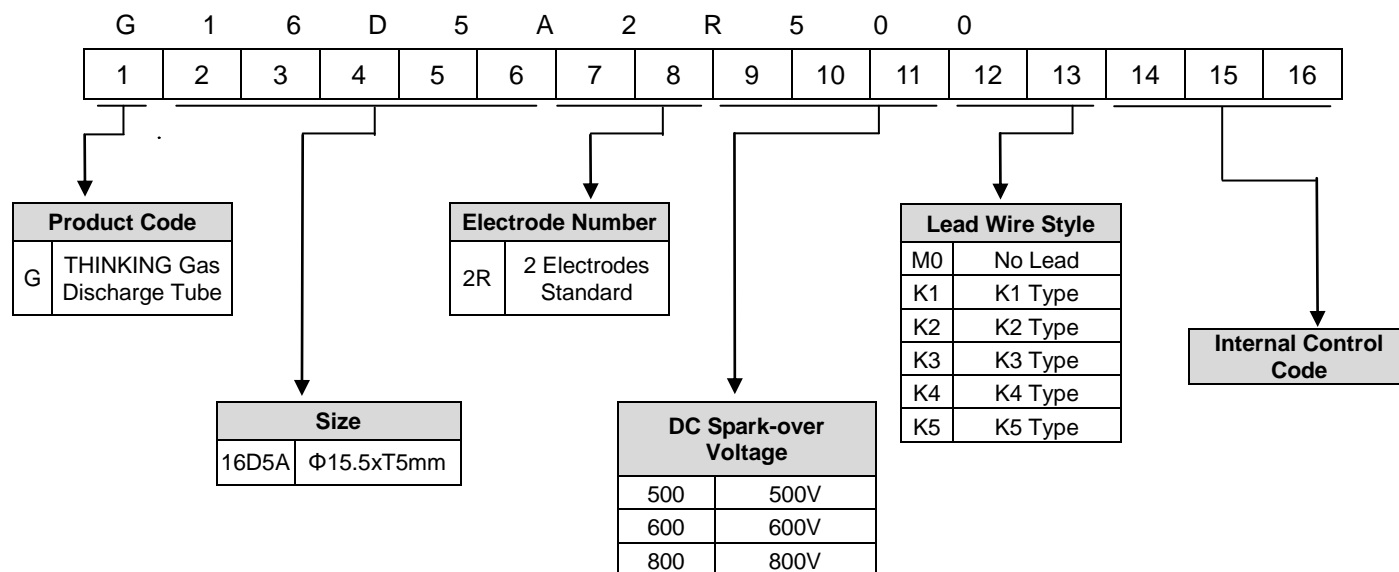
1. RoHS & HF compliant
2. Rugged ceramic-metal construction
3. DC spark-over voltage: 500~800V
4. Follow current at 50/60Hz: 100A
5. Max continuous operating voltage at 50/60Hz: 255V
6. Agency recognition: UL
7. Operating temperature: $-40^{\circ}\text{C} \sim +105^{\circ}\text{C}$
8. Storage temperature: $-40^{\circ}\text{C} \sim +115^{\circ}\text{C}$



■ Recommended Applications

1. Power system
2. Industrial equipment
3. SPD module

■ Part Number Code



Gas Discharge Tube: G16D5A Series



2-Electrode $\Phi 15.5$ x T5mm Type

■ Characteristics

| Part No. | DC Spark-over Voltage | Max. Impulse Discharge Current (8/20 μ s) | | Max. Front-of-wave sparkover voltage | Follow Current | Max Continuous Operating Voltage | Minimum Insulation Resistance (G Ω) | Maximum Breakdown Time (ns) | Safety Approvals |
|----------------|-----------------------|---|----------|--------------------------------------|----------------|----------------------------------|---|-----------------------------|------------------|
| | 100V/S | 1 time | 10 times | 1.2/50us 6KV | 50/60Hz | 50/60Hz | | | |
| | (V) | (KA) | | (V) | (A) | (V) | | | |
| G16D5A2R500□□ | 500 \pm 20% | 40 | 20 | 1300 | 100 | 255 ⁽¹⁾ | 1 | 100 | √ |
| G16D5A 2R600□□ | 600 \pm 20% | | | 1400 | 100 | 255 ⁽¹⁾ | | | √ |
| G16D5A 2R800□□ | 800 \pm 20% | | | 1500 | 100 | 255 ⁽¹⁾ | | | √ |

Note 1: The □□ is style of lead wire.

Note 2: UL 1449 4th File No: E314979.

Note 3: ⁽¹⁾ does not apply to K3 products.

Note 4: Insulation resistance test conditions:

| DC Spark-over Voltage | DC Measuring Voltage |
|-----------------------|----------------------|
| 500-800V | 250V |

■ Dimension

(Unit: mm)

Figure 1

M0 : No Lead

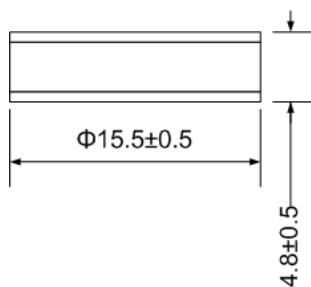
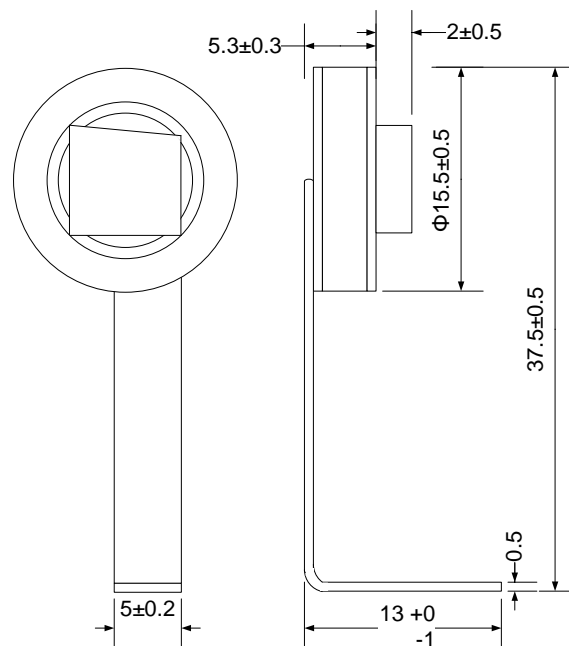


Figure 2

K1:K1 Type



Gas Discharge Tube: G16D5A Series

2-Electrode $\Phi 15.5 \times T5\text{mm}$ Type



Figure 3
K2:K2Type

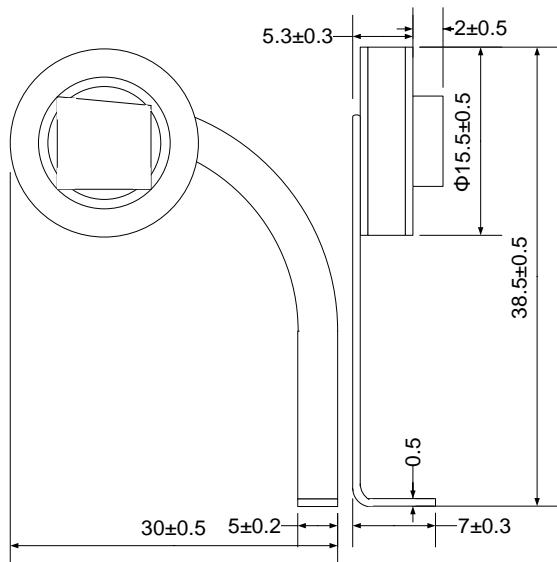


Figure 4
K3:K3 Type

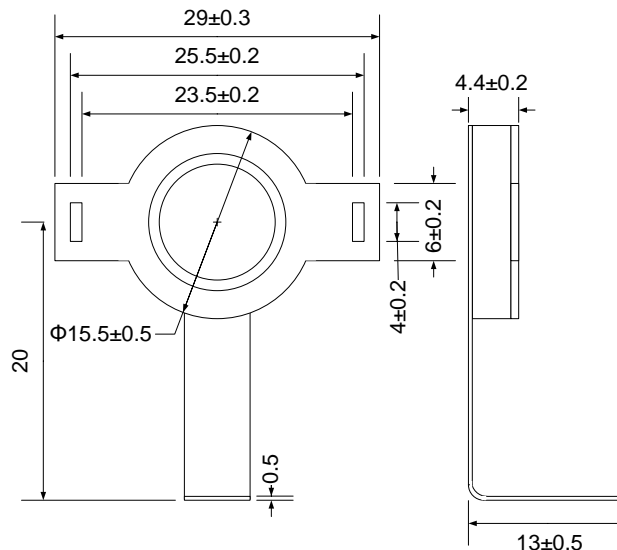


Figure 5
K4:K4 Type

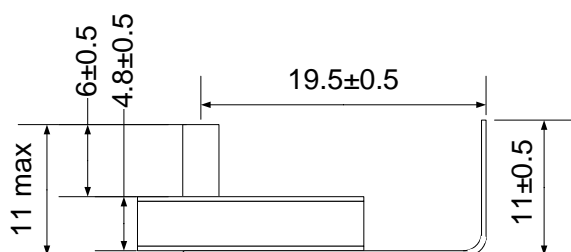
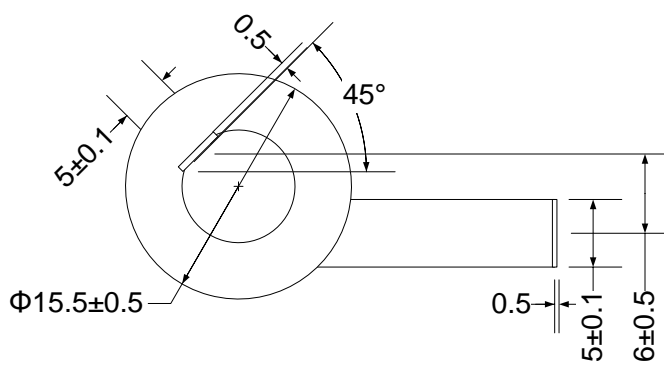
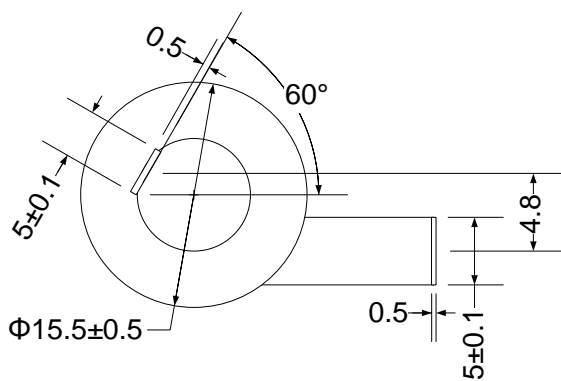
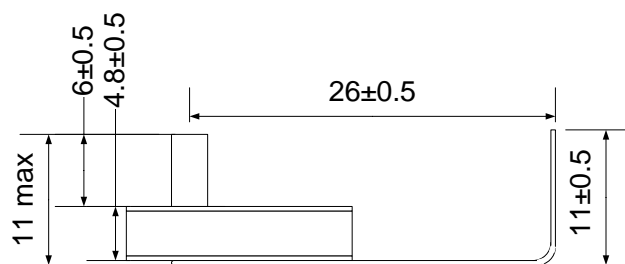


Figure 6
K5:K5 Type

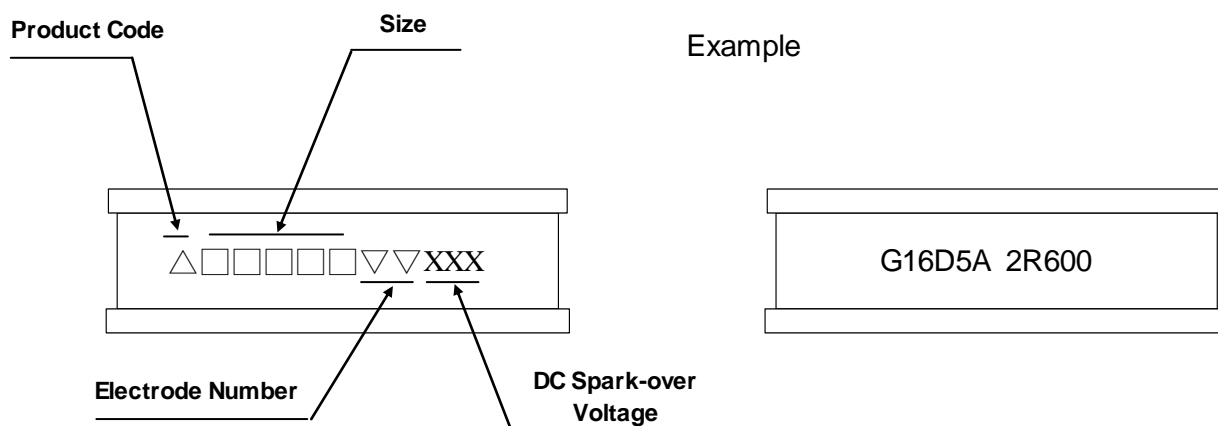


Gas Discharge Tube: G16D5A Series



2-Electrode $\Phi 15.5$ x T5mm Type

■ Marking



■ Packaging

- Bulk

■ Warehouse Storage Conditions of Products

- Storage Conditions:
 1. Storage Temperature: $-10^{\circ}\text{C} \sim +40^{\circ}\text{C}$
 2. Relative Humidity: $\leq 75\% \text{RH}$
 3. Keep away from corrosive atmosphere and sunlight.
- Period of Storage: 1 year